


Installing a Metal Roof to your Chicken Coop

This tutorial contains suggestions and guidelines on how to install a roof to your chicken coop.

 Difficulté Facile

 Durée 5 heure(s)

 Catégories Maison

 Coût 75.00 USD (\$)

Sommaire

Introduction

Étape 1 - Measuring Up

Étape 2 - Cutting and fitting

Étape 3 - Fixing Roof Down

Étape 4 - Finishing off

Commentaires

Introduction

One of the hardest parts of adding a roof to your chicken coops is to get the right list of materials you'll need.

Matériaux

metal roofing, roofing screws, metal ridge,

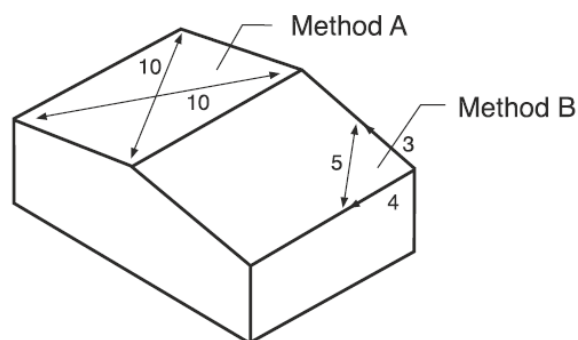
Outils

hammer, roofing screws, tape measure, tin snips, tape measure,

Étape 1 - Measuring Up

One of the hardest parts of adding a roof to your chicken coops is to get the right list of materials you'll need.

To work out the exact length each section, get the measurement from the top edge of the coop roof down to the bottom edge of the roofing timber.



Étape 2 - Cutting and fitting

Before you begin to install the roof you should make sure the frame and all supporting roof members are straight.

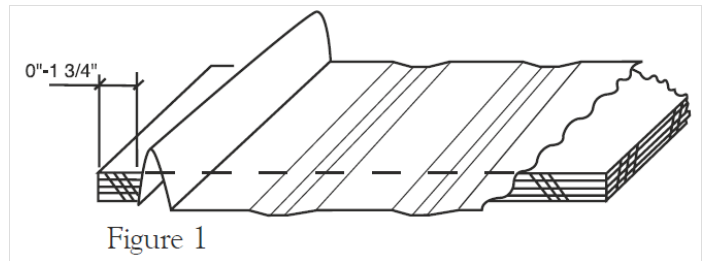
Cutting in of the metal roofing materials will need to be done on-site to ensure the best fit for the roofing sheets.

Some minor cuts or corrections maybe required once the roofing sheets have been fitted over the chicken coop to ensure adequate overhang is provided.

Étape 3 - Fixing Roof Down

The metal roofing sheets need to be installed plumb, straight and square to the eave of the coop roof.

When fitting the first roof sheet make sure it is perfectly straight and square to the bottom edge of the chicken coop.



Étape 4 - Finishing off

Roofing sheets need to be fastened down once in place and this is to be done using the appropriate galvanized roofing screws.

For best appearances make sure the roofing screws are fastened in a nice straight, parallel line and a minimum of 200mm apart.

