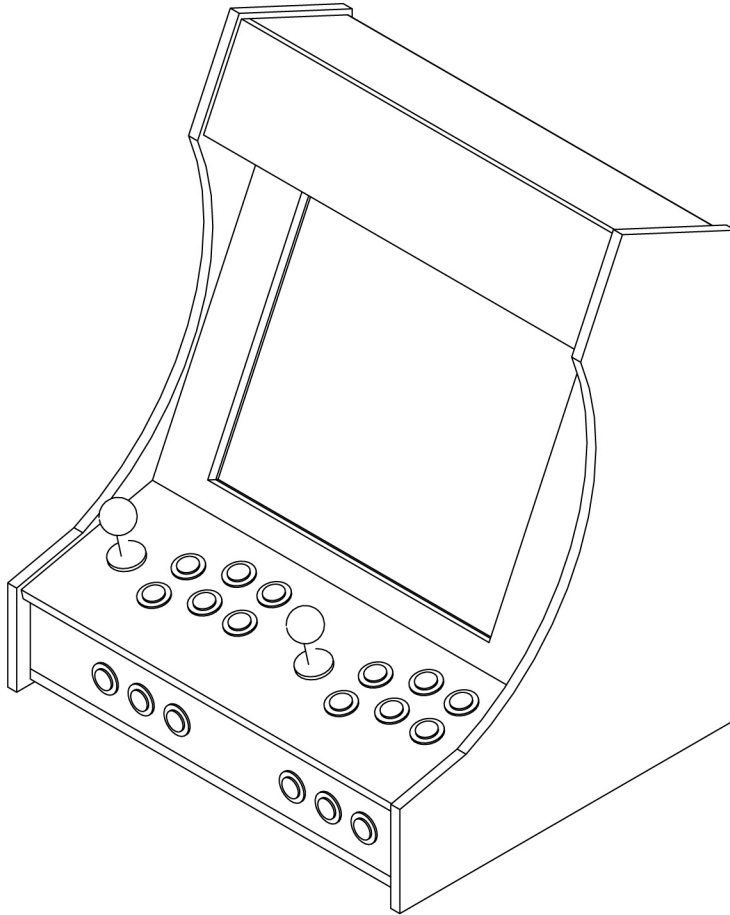
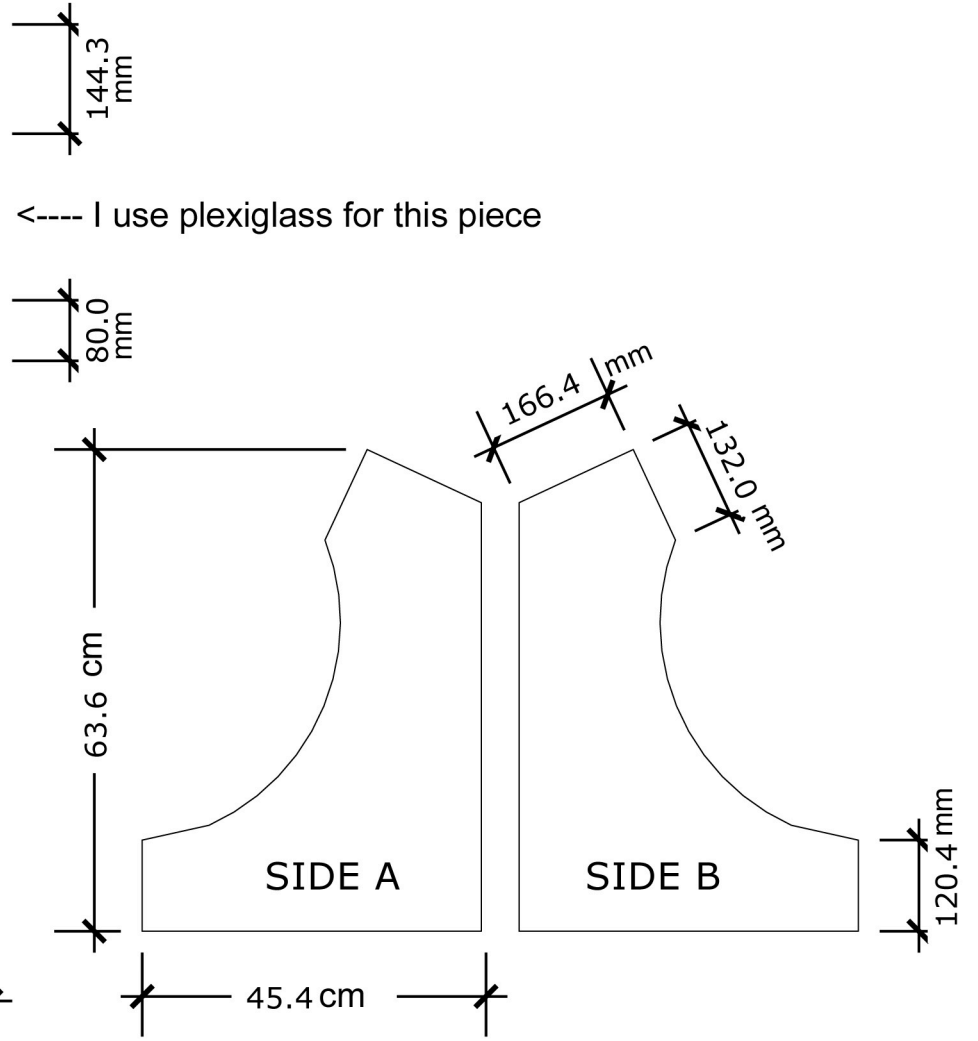
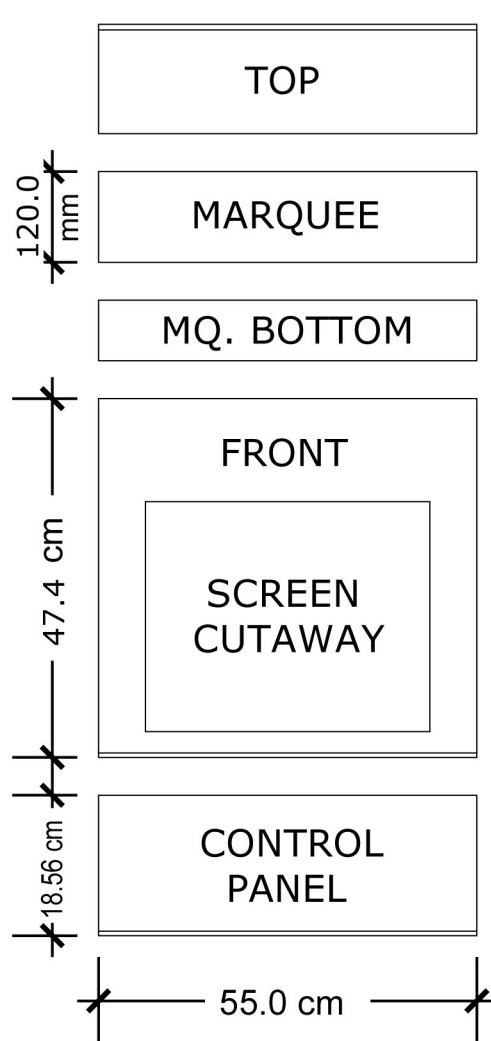
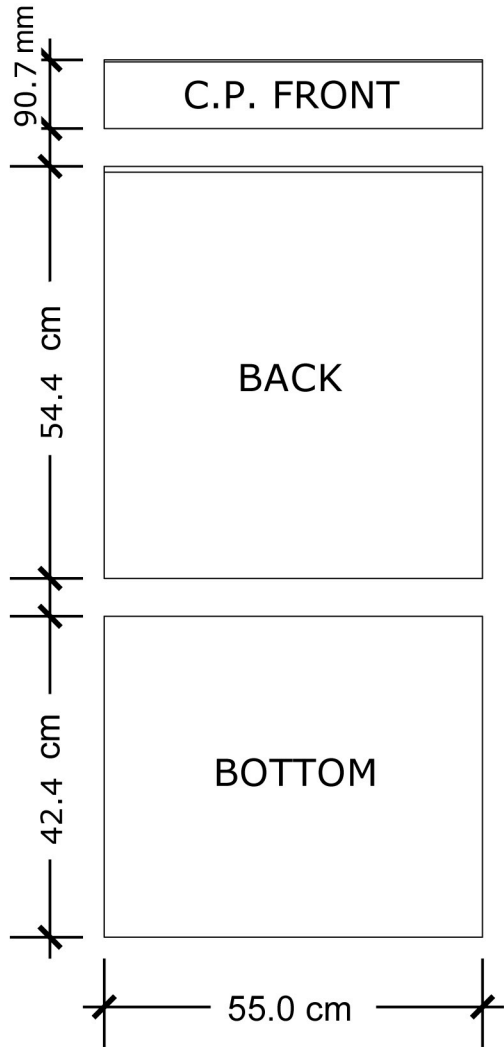
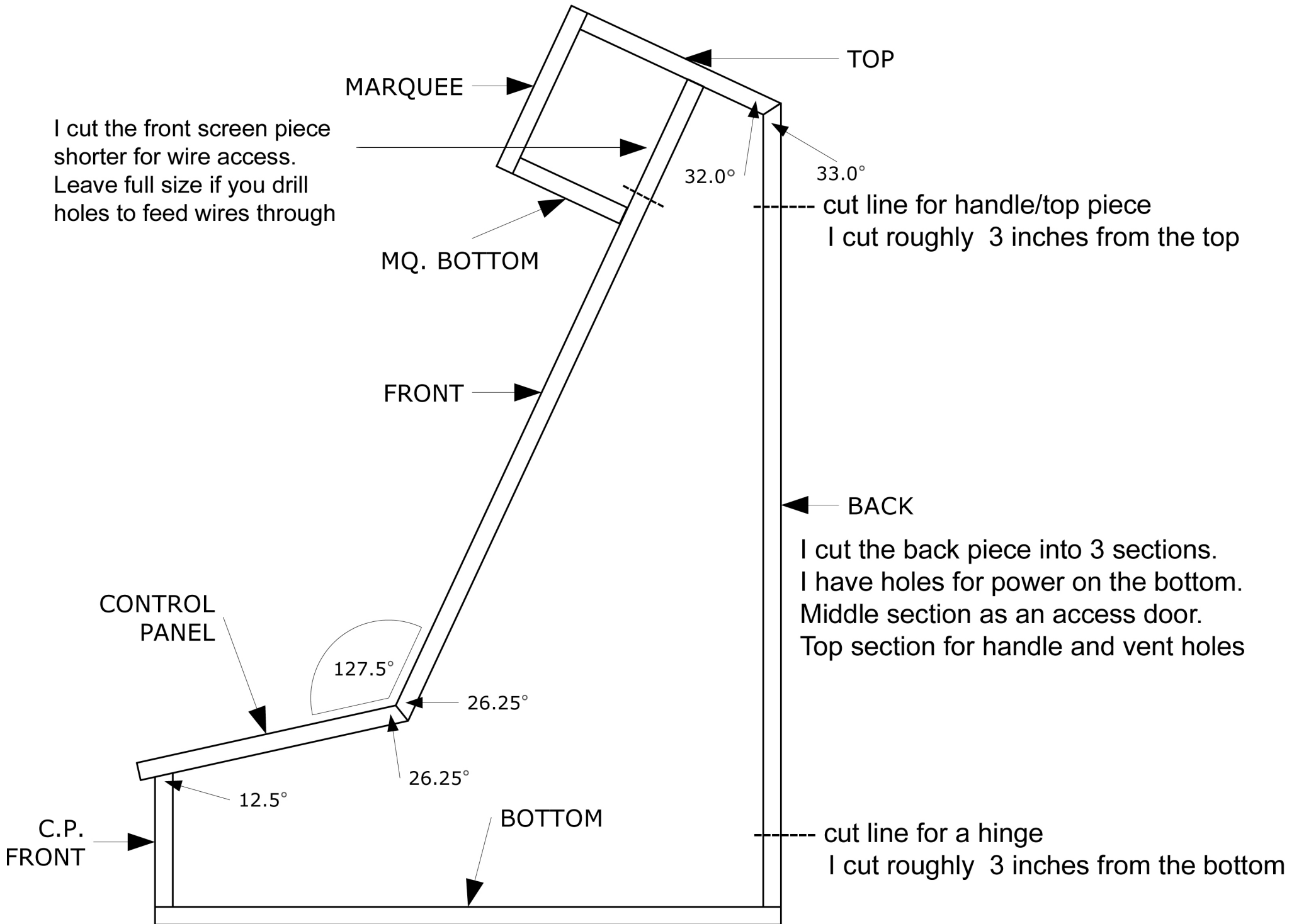


# Dimensions & Angles Reference Sheet

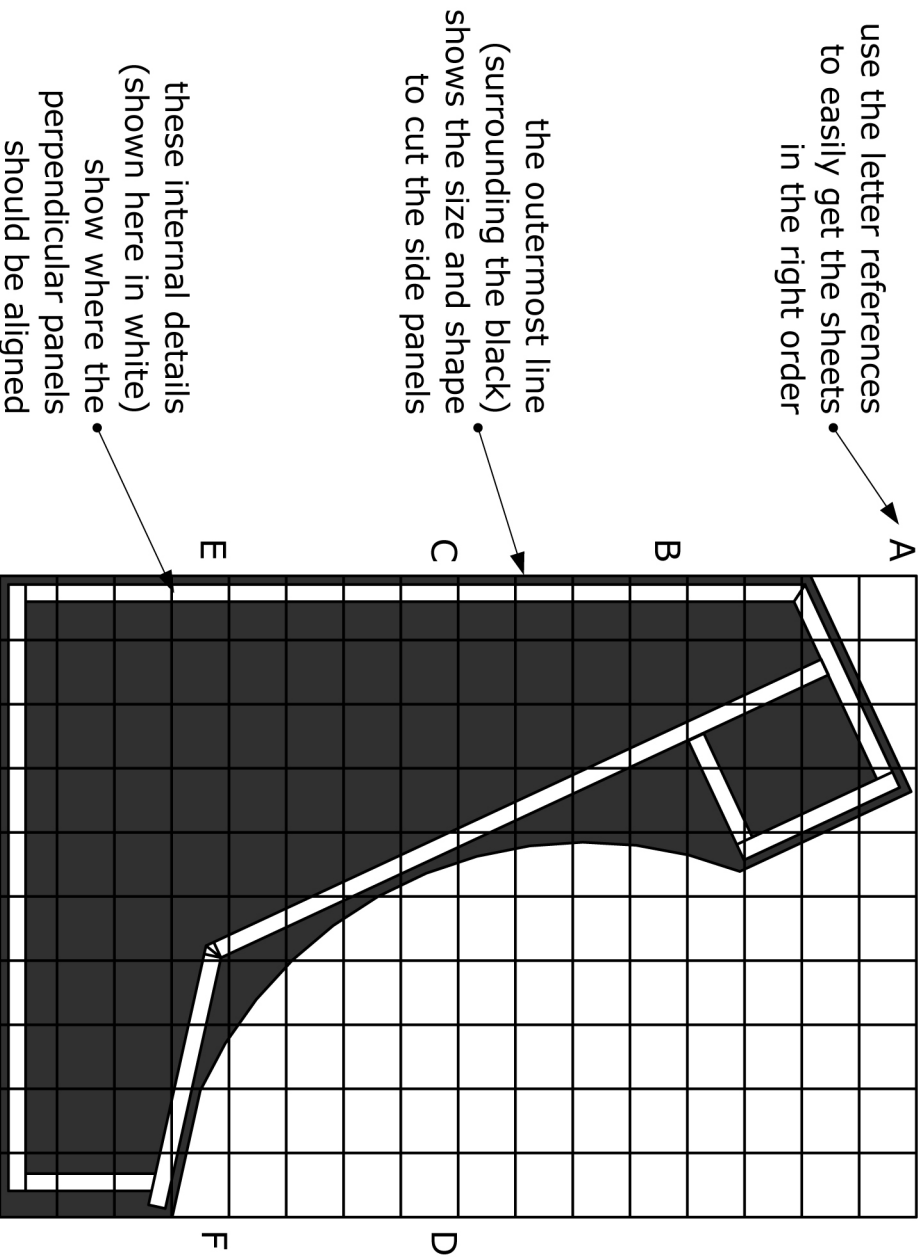


1. Print this PDF for reference
2. Cut panels to the sizes shown
3. Use a mitre saw or table saw to cut the relevant angles on the end of each panel
4. Refer to the accompanying PDF for the side panel blueprints and instructions





# 1:1 Scale Side Panel Blueprints

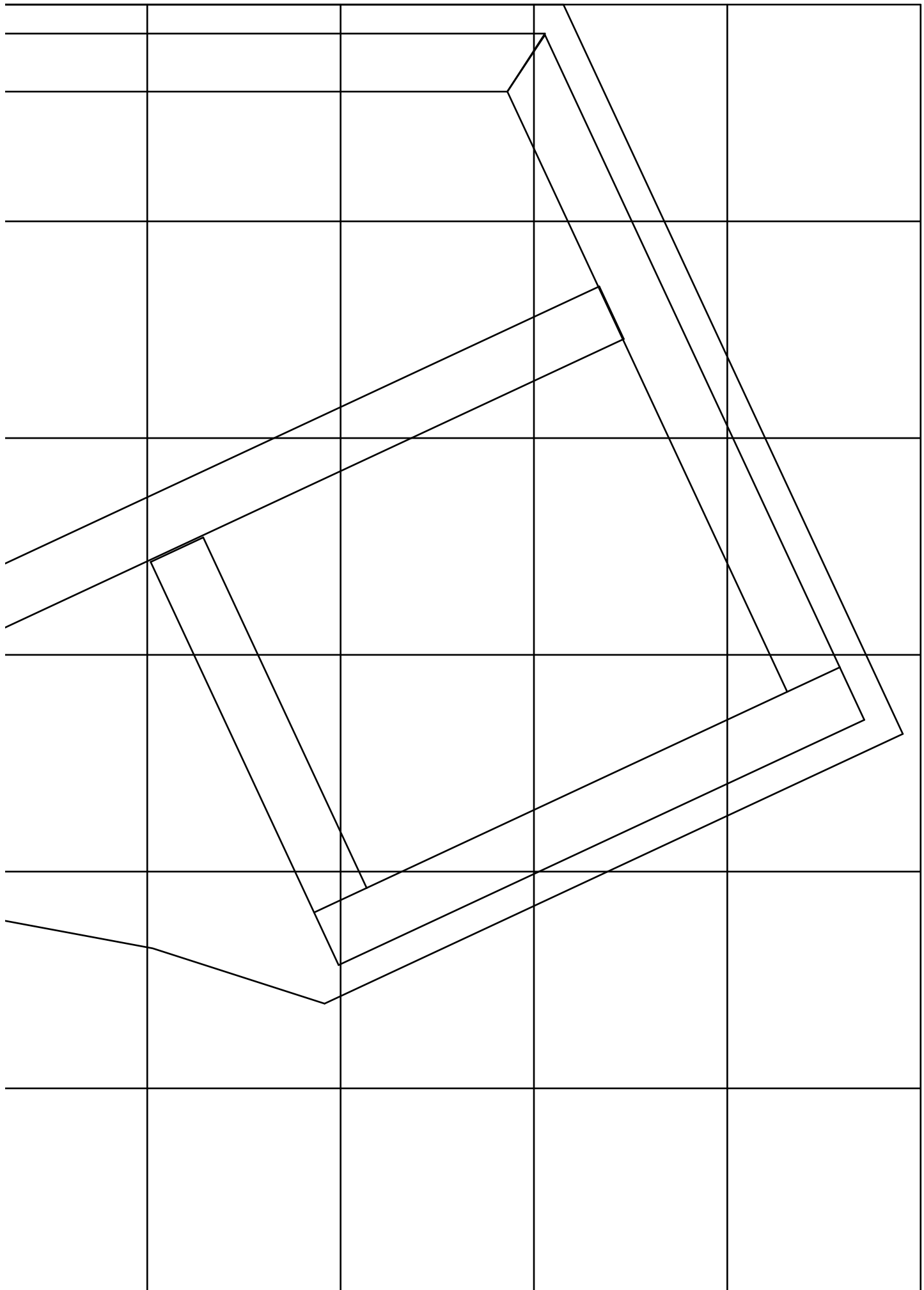


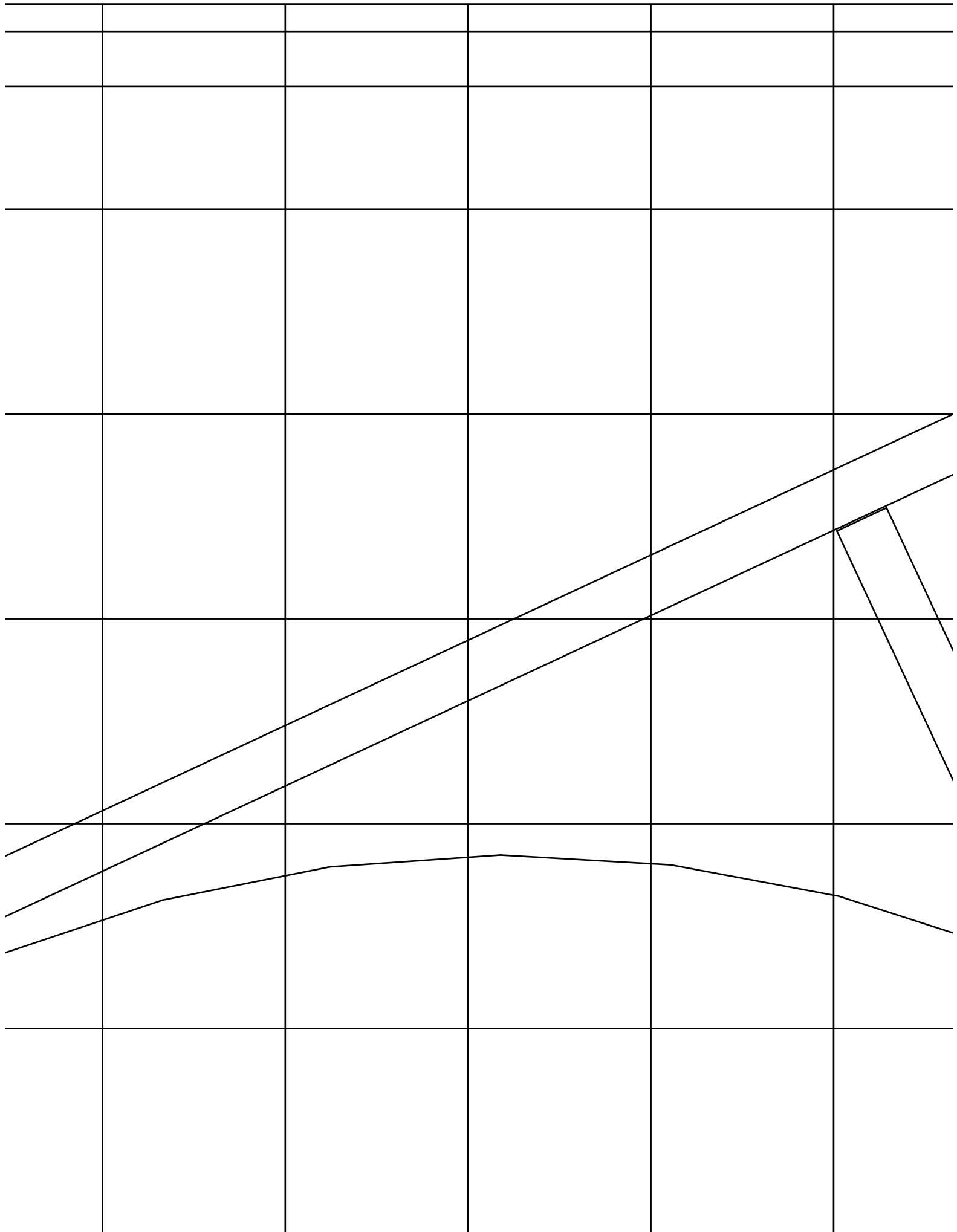
use the letter references to easily get the sheets in the right order

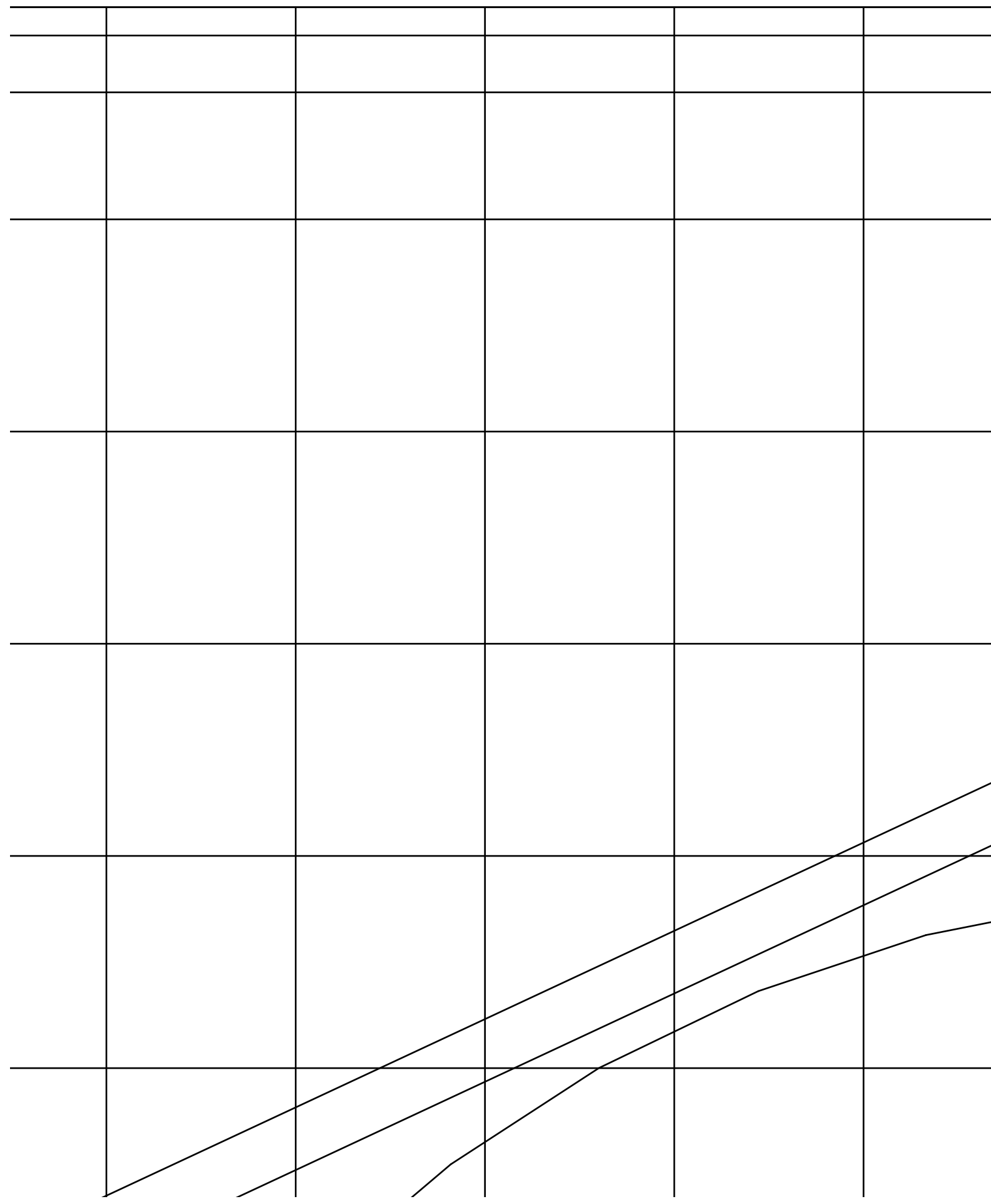
the outermost line (surrounding the black) shows the size and shape to cut the side panels

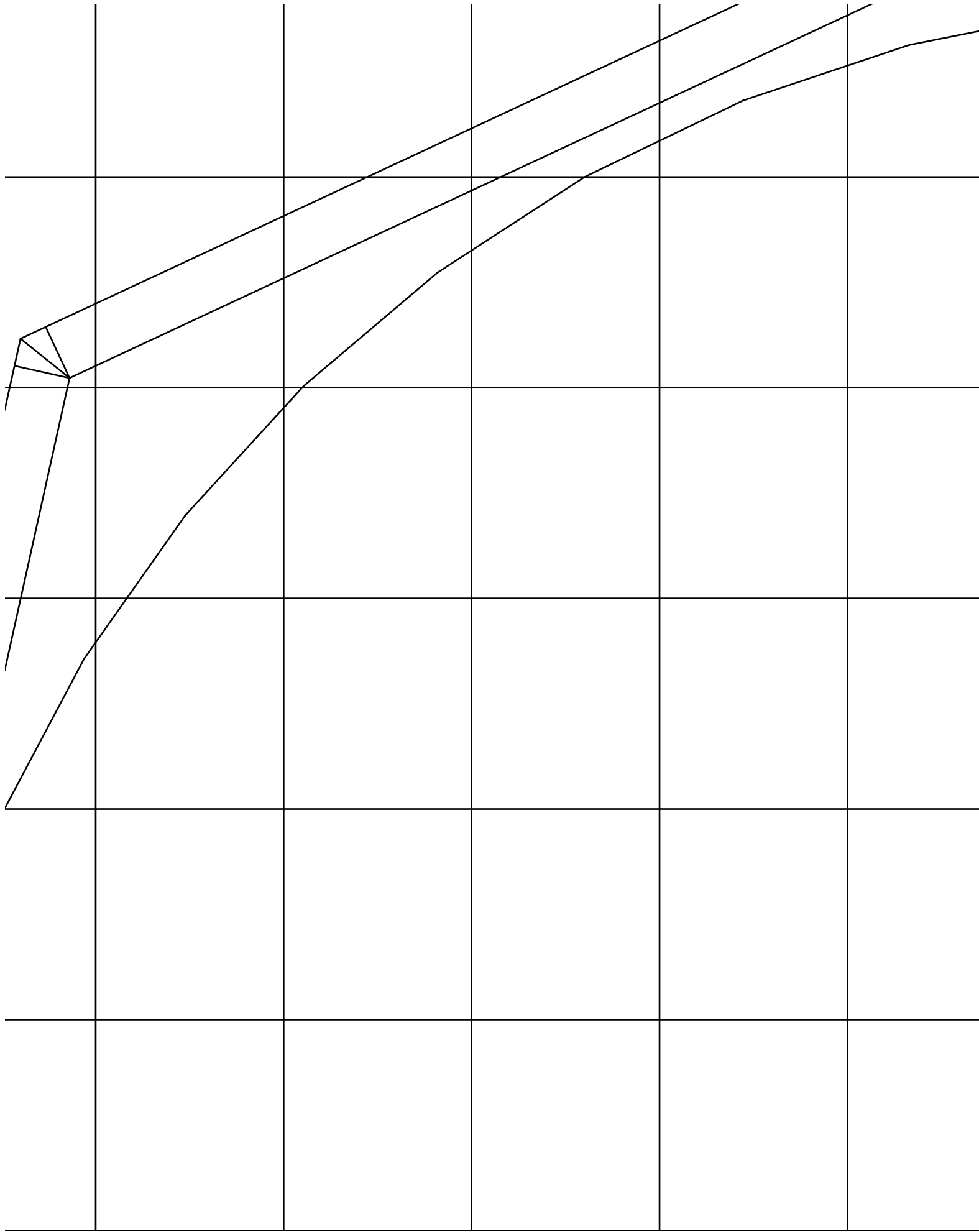
these internal details (shown here in white) show where the perpendicular panels should be aligned

1. Print this PDF at 100% scale. I use 11x17 paper
2. Tape the six sheets together like a puzzle - there will be a lot of overlap
3. Use as template to cut side panels
4. Use again as full scale reference guide to assemble all the cut pieces



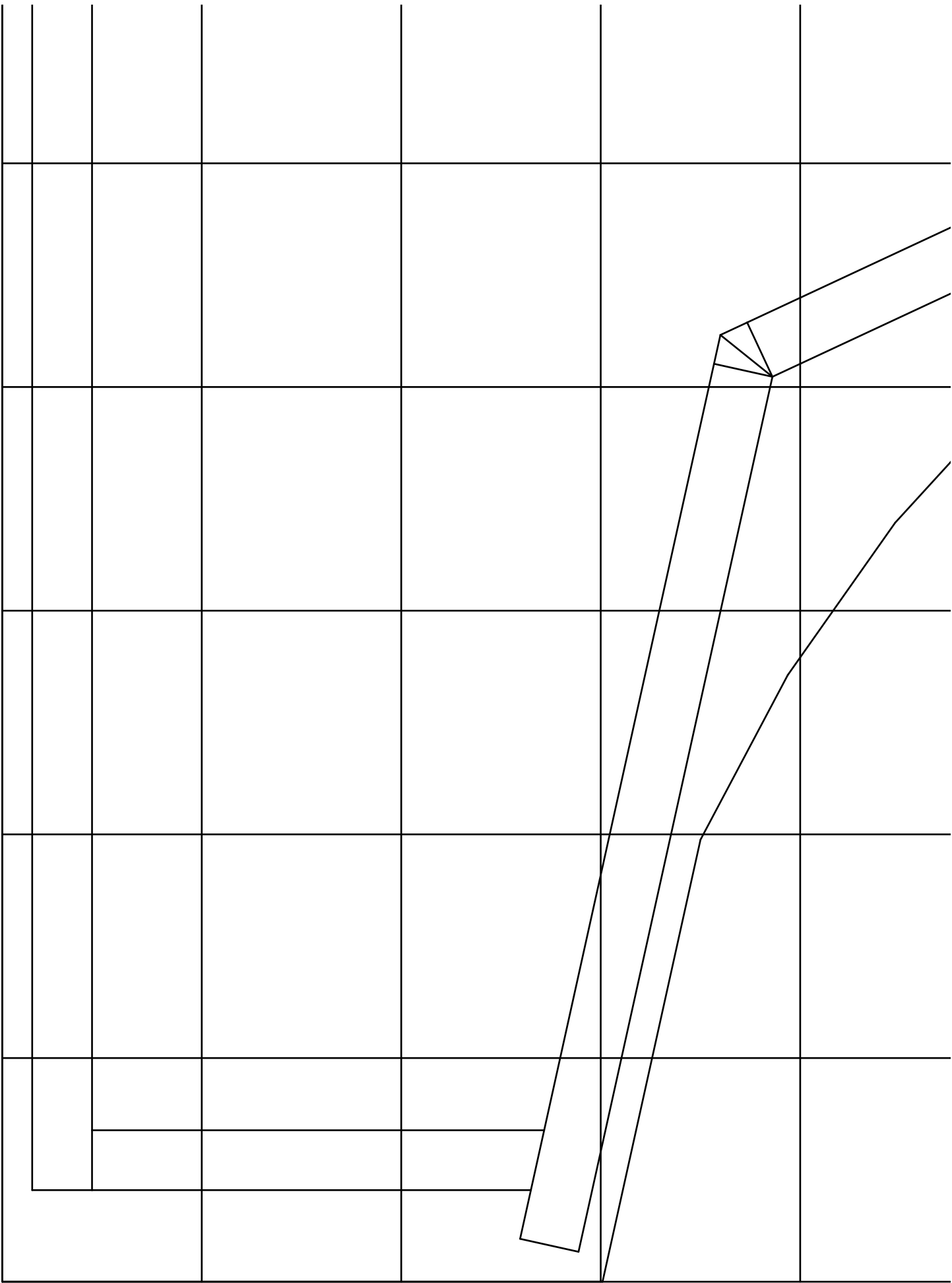




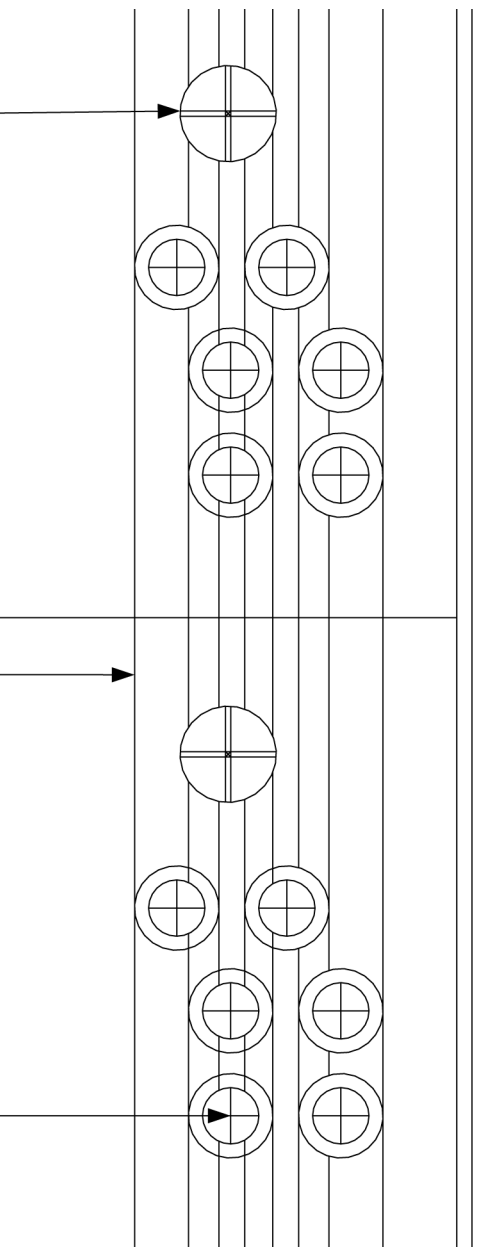








# 1:1 Control Panel Blueprints



- joystick drawn this size for reference only, drill a hole big enough to enable free movement in all 8 directions when the stick is mounted. I use a 1 1/8" forstner.

- these horizontal lines are layout guidelines only, not to be cut in any way

- drill at centre mark, most arcade buttons will fit snugly into a 28mm (1 1/8") mounting hole

1. Print this PDF with scale set to 100%. I print on 11x17 paper
2. Tape the two sheets together
3. Use as full scale reference guide to mark and drill control panel

